

K-Flo

EXPERT LINE

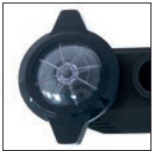


HIGH PERFORMANCE WITH QUIET OPERATION

- **Twist-Lock cover**, rapid access (no tools required)
- **Impeller and diffuser made of Noryl®**, very hard-wearing and corrosion-free
- **Suitable for use in salt water**, corrosion proof seal assembly
- **Direct replacement** for KS pumps
- **Unions fittings provided**
- Recommended for pools **up to 195 m³**



* Calculation based on 6 hours turnover



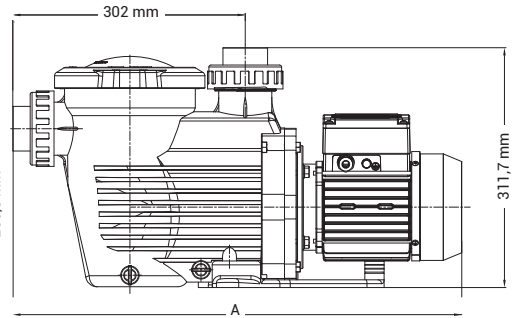
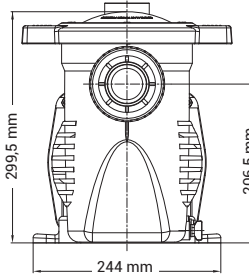
See-through Twist-Lock strainer cover



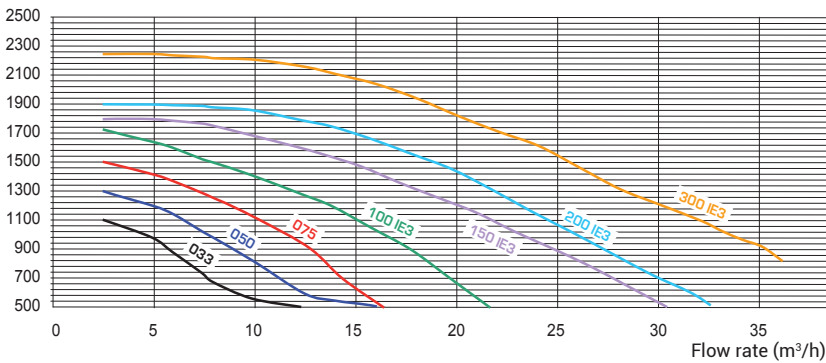
Double drain with easy opening (no tools required)



Unions kit included (50/63 mm)



Pressure (mbar)



Technical Specifications

Max. water temp.	35°C
Mechanical seal	AISI 316, suitable for salt water
Motor specifications	Class F, IP55, 50 Hz, 2 Poles
Housing/impeller/strainer/lid	PP+GF/Noryl®+GF/PP/SAN®

	Type	Side A	Weight	I/O	Flow rate*	Input Power P1	Output Power P2	Amperage	Item
SINGLE PHASE K-FLO	1/3 HP	543 mm	11.2 kg	50 mm	4.8 m ³ /h	485 W	245 W	2.5 A	SPK12603XY1
	1/2 HP	590 mm	12.5 kg	50 mm	7.5 m ³ /h	610 W	385 W	3.2 A	SPK12605XY1
	3/4 HP	590 mm	13.5 kg	50 mm	11.5 m ³ /h	820 W	570 W	3.8 A	SPK12607XY1
	1 HP	590 mm	14 kg	50 mm	15.4 m ³ /h	1090 W	760 W	5 A	SPK12610XY1
	1.5 HP	620 mm	16.5 kg	63 mm	21.9 m ³ /h	1610 W	1110 W	7.5 A	SPK12615XY1
	2 HP	620 mm	22.5 kg	63 mm	25.7 m ³ /h	1880 W	1500 W	9 A	SPK12620XY1
	3 HP	620 mm	25 kg	63 mm	33 m ³ /h	2750 W	2150 W	12.5 A	SPK12630XY1
THREE PHASE K-FLO	1/2 HP	590 mm	12.5 kg	50 mm	7.5 m ³ /h	610 W	385 W	2.45/1.4 A	SPK12605XY3
	3/4 HP	590 mm	13.5 kg	50 mm	11.5 m ³ /h	820 W	570 W	3/1.7 A	SPK12607XY3
	1 HP	620 mm	16.5 kg	50 mm	15.4 m ³ /h	1090 W	760 W	3.4/2 A	SPK12610XY3
	1.5 HP	620 mm	19 kg	63 mm	21.9 m ³ /h	1610 W	1110 W	5/2.9 A	SPK12615XY3
	2 HP	620 mm	25 kg	63 mm	25.7 m ³ /h	1880 W	1500 W	6.1/3.5 A	SPK12620XY3
	3 HP	620 mm	27 kg	63 mm	33 m ³ /h	2750 W	2150 W	8.3/5.0 A	SPK12630XY3

* under 10 m water column pressure

NEW

LPRK Smart retrofit kit: use it with the K-Flo to replace easily old pumps on existing installations

SMART RETROFIT KIT

Item	Pumps to replace	Kit content	Kit per box
LPRK	Astral Victoria Plus, Astral Victoria Plus Silent, Saci Winner	Smart Base 45 (1), Fixing screw (3), RC50 (2), O-ring Seal (2)	10

LPRK is valid to retrofit installations Ø50 mm, commonly used for pumps up to 1 HP

